

Approval Sheet

DL Lamp Series Specification



DCNCA CO LTD
PROVIDING GREEN ENERGY SOLUTION
<http://www.dcnca.com>

Disclaimer

This document describes test procedures performed DCNCA Co., Ltd products to verify their product specifications and performance. This document does not imply a warranty or a guarantee of compatibility with any product other than those specifically listed. DCNCA Co., Ltd shall not be liable for errors contained herein or for incidental or consequential damages in connection with the furnishing, performance, or use of this material. The information contained in this document is subject to change without notice.

Copyright

This document contains proprietary information that is protected by copyright. All rights are reserved. No part of this document may be reproduced, stored in a retrieval system, or transmitted, in any form or by any means, electronic, mechanical, photocopying, recording, or otherwise, without the prior written

DCNCA Co., Ltd.

(Sangdaewon-dong, Seongnam Woolim Lions Valley 2Cha)

A-806, 14, Sagimakgol-ro 45beon-gil, Jungwon-gu, Seongnam-si,
Gyeonggi-do, 462-807, Korea

Tel : +82-2-2051-1855 , Fax : +82-31-703-1854

<http://www.dcnca.com>

LED Light Product Line

Model Name	Description	Power (W)
DL BALL LED 5W	Ball Type 5W AC 90~245V	5W
DL MR16 LED GU10	LED MR16 GU10 AC 90~245V / DC 8~14V	3W
DL MR16 LED E26/27	LED MR16 E27 AC 90~245V / DC 8~14V	3W
DL MR16 LED JE26/27	LED MR16 JDR E27 AC 90~245V / DC 8~14V	3W
MR16 LED GU5.3	LED MR16 GU5.3 AC 90~245V / DC 8~14V	3W

Chapter 1 Introduction

DCNCA provides the best quality LED **BALL/MR16** series made in Korea. You can easily replace traditional MR16 type bulbs to our MR16 series. Our products uses standard GU 5.3 / GU10 / E11 / E27 socket and standard power input AC 90~220V and DC 8~14V.

All our MR16 products are long lifetime (up to 25,000 hrs) products, high luminous efficiency and free of environmental pollution.

1-1 Features

- Energy Saving
- No heat, No UV, or IR light radiation
- CHIP LED Light source
- Ra>75 for white light
- Long life time up to 40000 hours (L70)
- Variety socket compatibility
- Power consumption up to 3.0 W for MR16.
- Compatible with electronic transformers without LED driver
- Safety Working with MR16 Halogen Ballast(Power Supply)

1-2 Typical Application

- Indoor Lighting
- Flood Lighting
- Mood Lighting
- Biological Lighting
- Display Spot Light

Chapter 2 Specification

2-1 MR16 series Specification

	MR16 V220 Series	MR16 V12 Series
LED TYPE	BRT CHIP LED	
Light Color	Cool White / Worm White	
Housing	Glass Housing, Al Coating	
LED No.	14 PCS / SHELL	
Base Socket Type	GU5.3 / GU10 / E11 /E27	GU5.3
Power Consumption	3.0W	
Input Voltage	AC 90V ~ 245V	AC/DC 8V ~ 14V
Input Frequency	50-60 Hz	-
LED Rated Current	45 mA	340 mA
Operation Temperature	-20°C - +40°C	-20°C - +40°C
CCT	Cool White 2700K	
	Worm White 6500K	
CRI	>78	>78
Beam Angle	110°	110°
Over Current Protection	Yes	Yes
Reversed Polarity Protection	Yes	Yes
Luminous Flux (lm)	85 (lm) on 2700K	85 (lm) on 2700K
	85 (lm) on 6500K	85 (lm) on 6500K
Effective life Time	25,000 HR	25,000 HR
Dimension	GU5.3 D50 X 50 (mm)	
	GU10 D50 X 55 (mm)	
	E11 D50 X 65 (mm)	
	E27 D50 X 50 (mm)	

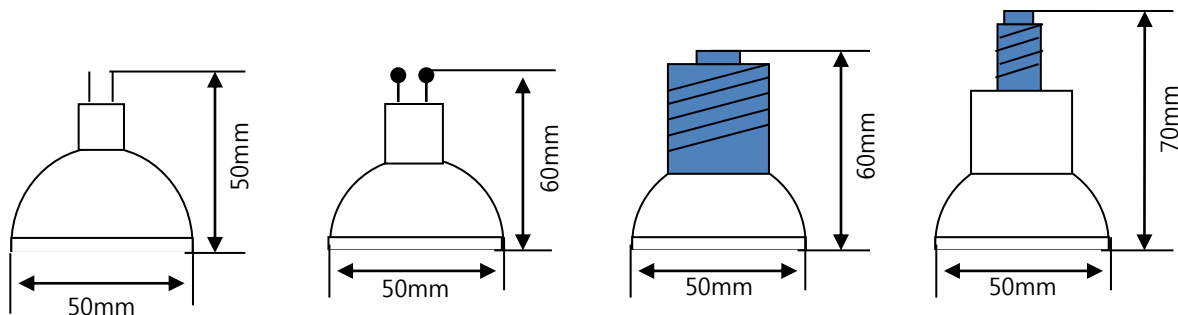
Chapter 2 Specification

2-2 BALL LED Series Specification

	BALL Bulb 5W
LED TYPE	BRT CHIP LED
Light Color	Cool White / Worm White
Housing	Glass Housing, Al Coating
LED No.	26 PCS / SHELL
Base Socket Type	E26/27
Power Consumption	5W
Input Voltage	AC 90V ~ 245V
Input Frequency	50-60 Hz
LED Rated Current	45 mA
Operation Temperature	-20°C - +40°C
CCT	Cool White 3000K Worm White 6000K
CRI	>100
Beam Angle	230°
Over Current Protection	Yes
Reversed Polarity Protection	Yes
Luminous Flux (lm)	330 (lm) on 3000K (Worm White) 380 (lm) on 6000K (Cool White)
Effective life Time	25,000 HR
Dimension	(G-Type) 114mm × Ø 80mm (T-Type) 115mm × Ø 71mm

Chapter 2 Specification

2-2 Dimension



GU5.3



GU10



E26/27



E11



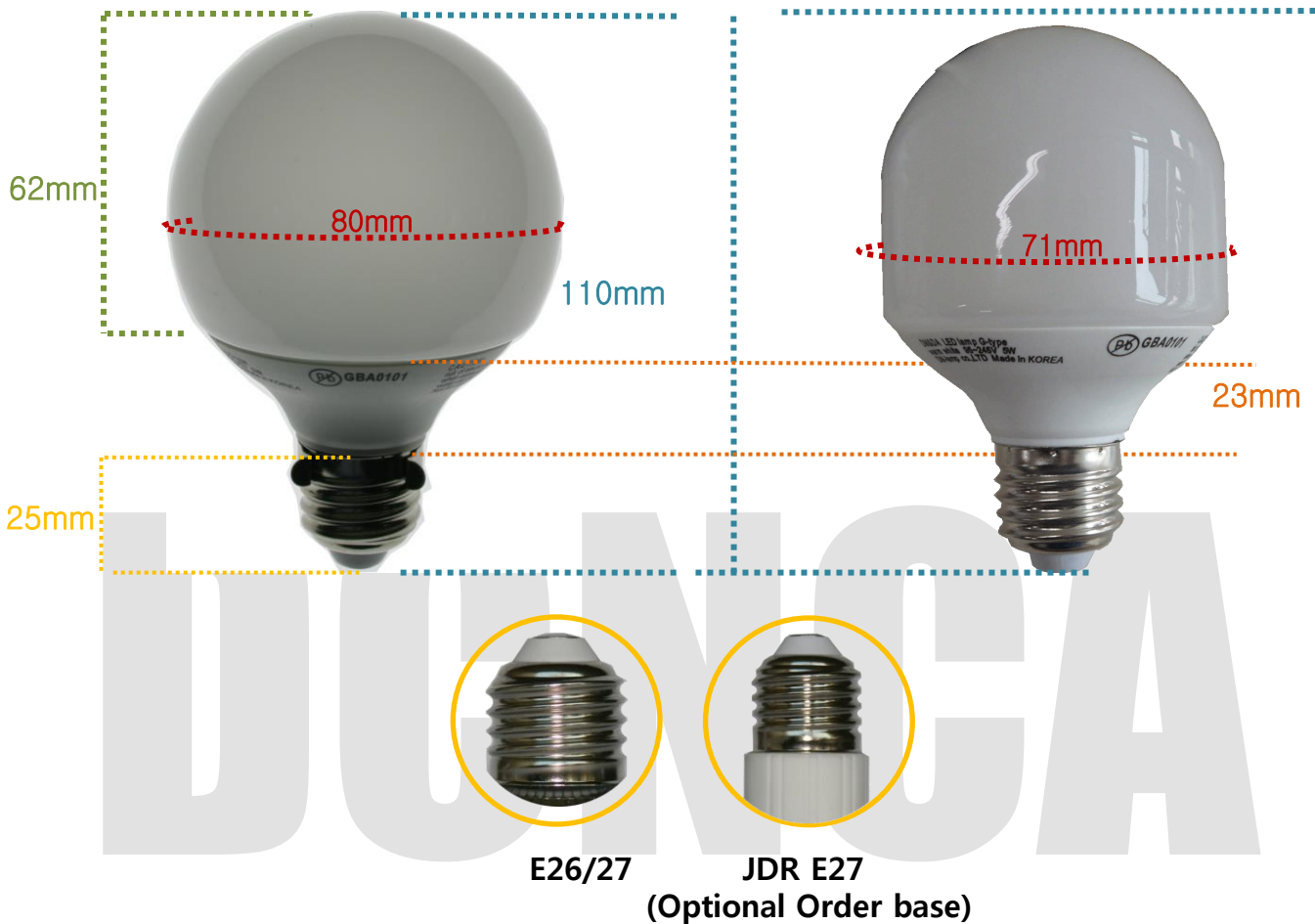
JDR E26/27

2-3 Simplified block diagram



Chapter 2 Specification

2-2 Dimension

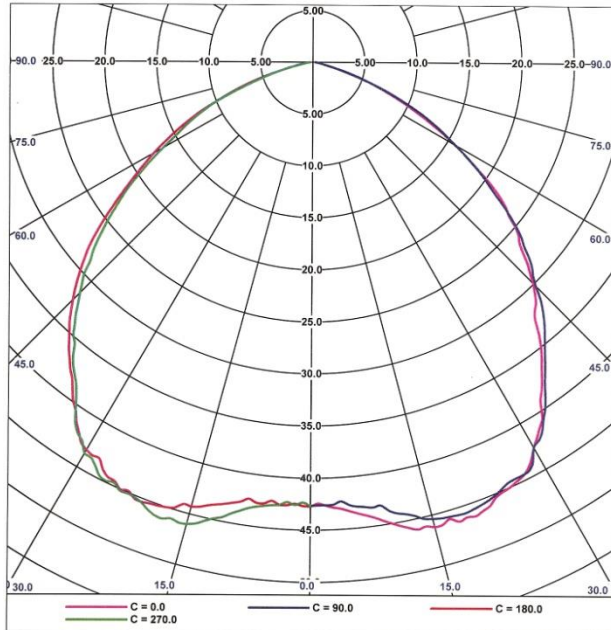


2-3 Simplified block diagram

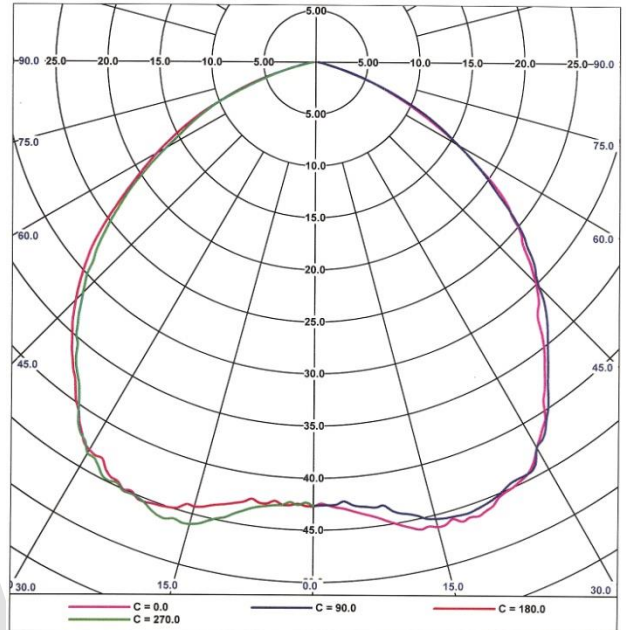


2-4 Preliminary Technical Data Sheet

2-4-1 Beam Pattern



(SL MR16 V220 Series)



(SL MR16 V12 Series)

2-4-2 Thermal Resistance

- P LED = 3.0W
- RJ-S = 4.5°C/W (BRT 's spec)
- RS-B = 1.5°C/W
- RB-a = 6.25°C/W
- Ra = 7.75°C/W



LIGHT BEAM

Chapter 3 MR16 Product Views & Summary



MR16 Base E27/JDR E27 / E11 / E14

AC 90V ~ 240V 50/60Hz

Cool White / Worm White Color



MR16 Base GU5.3 / GU10

AC 90V ~ 240V 50/60Hz

DC/AC 9V~14V

Cool White / Worm White Color

Chapter 4 Ball LED Views & Summary



Ball LED 5W (BALL)

AC 90V ~ 245V 50/60Hz

Cool White / Warm White Color

DCNCA



Ball LED 5W (T-Ball)

AC 90V ~ 245V 50/60Hz

Cool White / Warm White Color

Chapter 6 Applications



▣ Prices of Products

Model Name	Description	Watt	Color	Min. Order (EA)	FOB Price (EA)
DL MR16 GU10	LED MR16 GU10 110~220V	3W	Warm Cool	5,000	₩ 7,500
DL MR16 E26/27	LED MR16 E27 110~220V	3W	Warm Cool	5,000	₩ 7,500
DL MR16 JE26/27	LED MR16 JDR E27 110~220V	3W	Warm Cool	5,000	₩ 7,500
DL MR16 GU5.3	LED MR16 GU5.3 AC/DC 12V	3W	Warm Cool	5,000	₩ 7,500
DL BALL 5W	BALL/Glass E26/27 AC 90~245V	5W	Warm Cool	5,000	₩13,000